

# INDOOR VOLTAGE TRANSFORMER

Model 3PT3-60

**Frequency:**  
60 Hz

**Standard Secondary Voltage:**  
120 Volts

**Maximum System Voltage:**  
5.6 kv, 60 kv BIL full wave

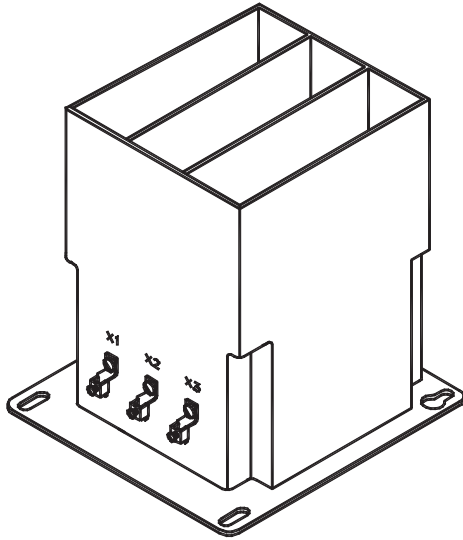
**Accuracy Class:**  
0.3 WX, 0.6M, 1.2Y at 100% rated voltage with 120V based ANSI burden

**Thermal Rating:**  
700 VA total, 350 VA per phase at 30°C amb.  
450 VA total, 225 VA per phase at 55°C amb.

**Weight:**  
Approximately 38 lbs.

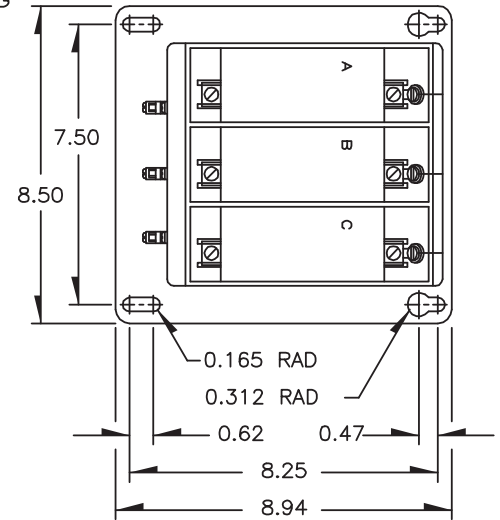
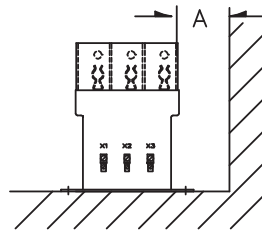


E196364



- Primary terminals are No.10-32 brass screws with one flatwasher and lockwasher.
- The core and coil assembly is encased in a plastic enclosure and vacuum encapsulated in polyurethane resin.
- The transformers are tested for partial discharge to Canadian Standards CAN 3-C13-M83. This test can also be carried out to IEC requirements if requested.
- Recommended Spacing is for guidance only. The user needs to set appropriate values to assure performance for: high potential test; impulse test; high humidity; partial discharge; high altitude.

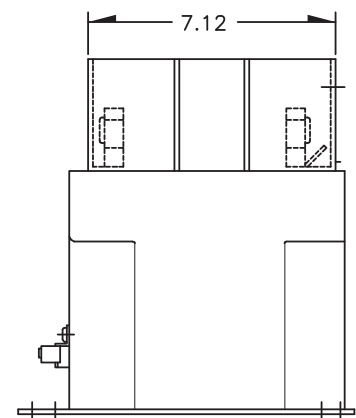
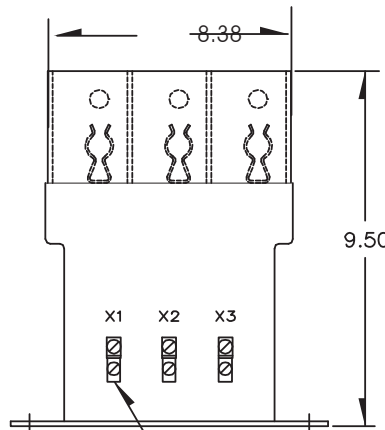
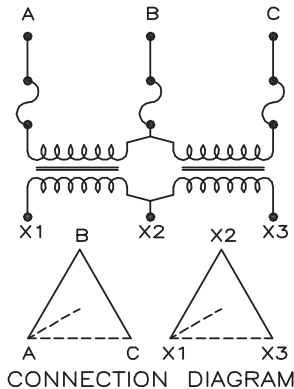
**RECOMMENDED SPACING**  
A=CASE TO GROUND=1.50" MIN.



GROUP	CATALOG NO. FUSES	CATALOG NO. FUSE CLIPS ONLY	RATED PRIMARY VOLTAGE	RATIO	SUGGESTED FUSE RATING**
1	3PT3-60-841FFF	3PT3-60-841CCC	840	7:1	1.0E
1	3PT3-60-122FFF	3PT3-60-122CCC	1200	10:1	1.0E
1	3PT3-60-242FFF	3PT3-60-242CCC	2400	20:1	0.5E
2	*3PT3-60-332FFF	*3PT3-60-332CCC	3300	30:1	0.5E
2	3PT3-60-422FFF	3PT3-60-422CCC	4200	35:1	0.5E
2	3PT3-60-482FFF	3PT3-60-482CCC	4800	40:1	0.5E

\*RATED 50/60Hz, 0.3W, 500 VA TOTAL @ 30°C, 350 VA TOTAL @ 55°C.

\*\* SEE PAGE Primary Fuse Rating  
Fuse is 0.81" Diameter, 5.62" long.



SINGLE HOLE SOLDERLESS LUGS FOR #6 THRU #14 WIRE